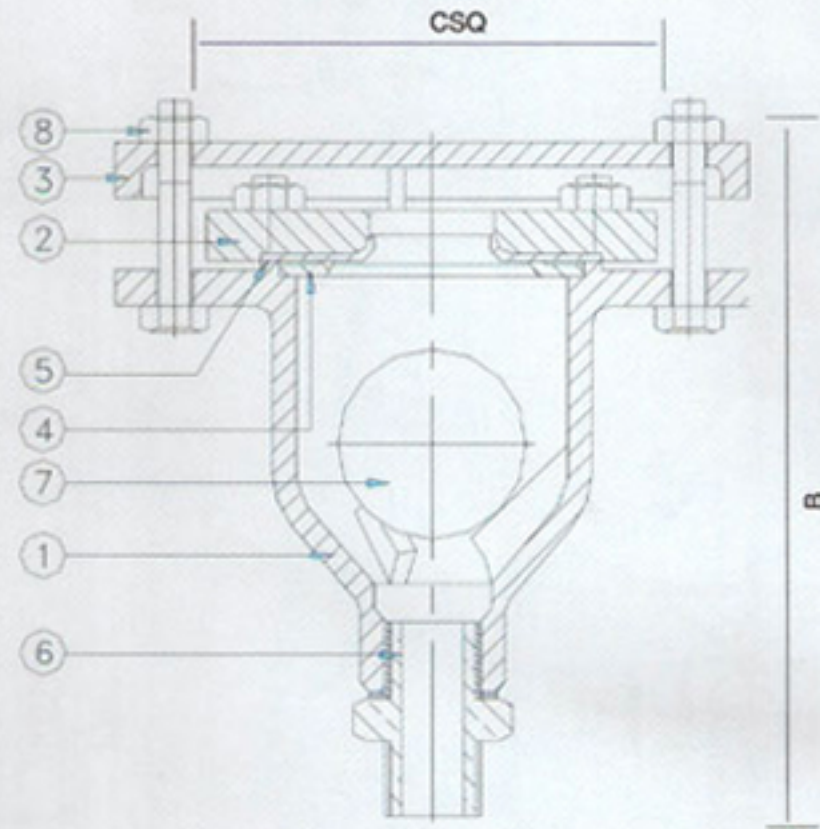


FIG. NO.: GK_H4

SMALL ORIFICE TYPE

G & K Fig. H-4



LARGE ORIFICE TYPE

Fig. - S1 & S-2 (IS : 14845)

BILL OF MATERIALS

NO.	DESCRIPTION	MATERIALS & SPECN
1	BODY	C.I. IS : 210 GR. FG-200
2	LOW PRESSURE COVER	C.I. IS : 210 GR. FG-200
3	COWL	C.I. IS : 210 GR. FG-200
4	JOINT SUPPORT	C.I. IS : 210 GR. FG-200
5	L. P. SEAT RING	NATURAL RUBBER, IS : 11855
6	FERRULE	LTB, IS : 318 GR. LTB-2
7	L. P. BALL (FLOAT)	TIMBER CORE VULCANITE COATING
8	BOLTS & NUTS	CARBON STEEL, IS : 1363

SINGLE AIR VALVE (G&K) H4

VALVE SIZE N.B. (MM)	A (MAX)	B (MAX)	C (MAX)
15	197	200	63.5
20	209	196	63.5
25	216	210	76.0
40	235	196	89.0

IS : 14845 FIG.-SI (SMALL ORIFICE)

VALVE SIZE N.B. (MM)	B (MAX)	C SQ (MIN)	FLOAT DIA
15	196	118	75
25	255	158	100
40	290	158	100

IS : 14845 FIG.-SI (LARGE ORIFICE)

VALVE SIZE N.B. (MM)	B (MAX)	C SQ (MIN)	FLOAT DIA
25	202	164	75
40	237	180	75
50	287	180	75

- * Construction of Materials as specified in the drawing are standard specification which may be provided
- * Flange ends as per IS : 1538 or customer's requirement.
- * Manufacturing range : 50 mm to 1200 mm NB

- * FLANGES :
STANDARD : IS : 1538 OPTIONAL : DIN/ANSI/BS
- * TESTED HYDRAULICALLY FOR STRENGTH TO TWICE W.P.
- * HYDRO STATIC WORKING PRESURE IN Kg/Cm²
4.5 to 17
- * For Higher Pressure Ratings Refer to Company.

* ALL DIMENSION ARE IN M.M.

* ALL DIMENSION ARE IN M.M.